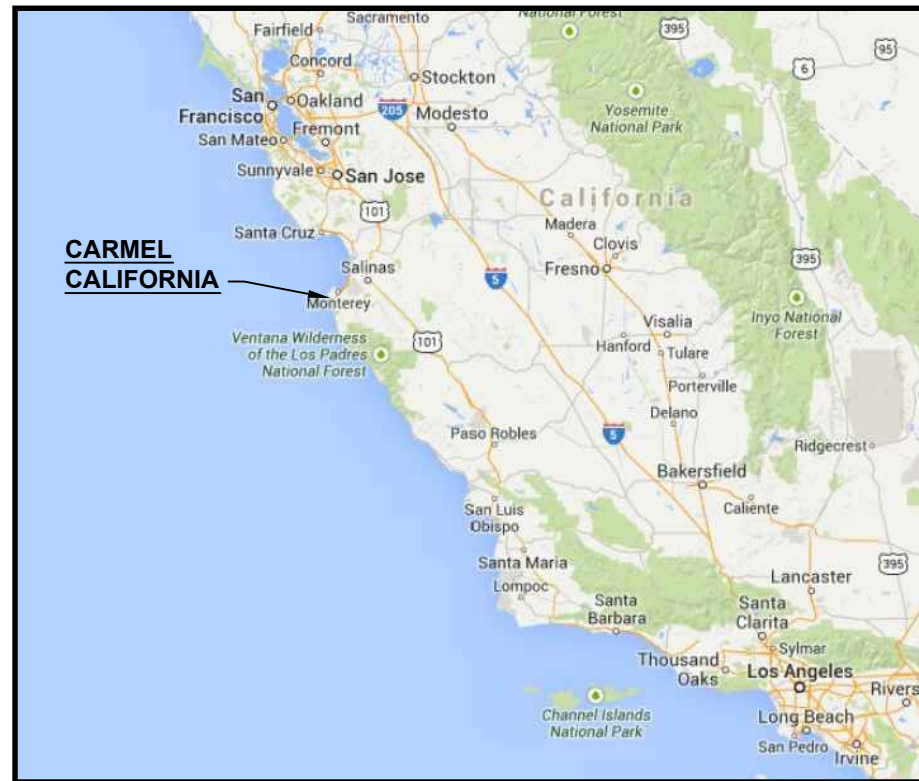


CALLE LA CRUZ FORCE MAIN REPLACEMENT PROJECT

CARMEL AREA WASTEWATER DISTRICT

CARMEL, CALIFORNIA



REGIONAL MAP

DRAWING INDEX

GENERAL SHEETS

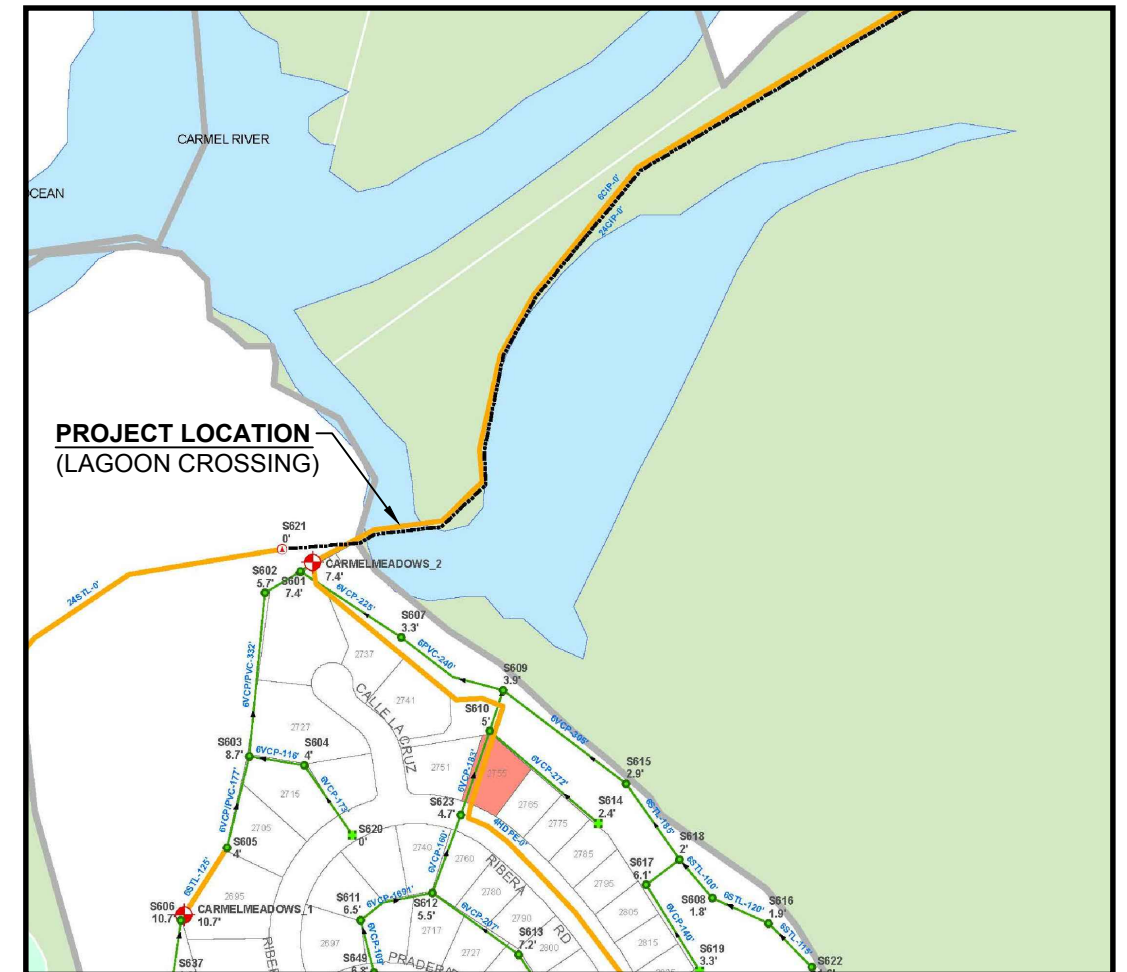
- G01 REGIONAL MAP, VICINITY MAP, DRAWING INDEX
- G02 GENERAL NOTES, SYMBOLS, LEGEND, ABBREVIATIONS AND SURVEY STATEMENT
- G03 STAGING AREA AND SITE ACCESS PLAN
- G04 STORMWATER POLLUTION PREVENTION DETAILS

DEMOLITION SHEET

- D01 DEMOLITION PLAN AND PROFILE

CIVIL SHEETS

- C01 NEW PIPES PLAN AND PROFILE
- C02 CIVIL DETAILS



VICINITY MAP

** 90% DESIGN SUBMITTAL **

NAPB 2/7/2018 4:23 PM \\K:\C\Cad\FederalWay\CAD\171768027\00 - CARMEL\1768027_G-01.dwg

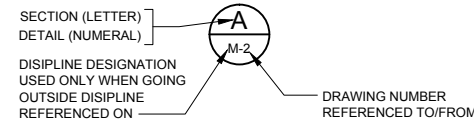
USE OF DOCUMENTS THIS DOCUMENT, INCLUDING THE INCORPORATED DESIGNS, IS AN INSTRUMENT OF SERVICE FOR THIS PROJECT AND SHALL NOT BE USED FOR ANY OTHER PROJECT WITHOUT THE WRITTEN AUTHORIZATION OF KENNEDY/JENKS CONSULTANTS.	<table border="1"> <thead> <tr> <th>NO.</th> <th>REVISION</th> <th>DATE</th> <th>BY</th> </tr> </thead> <tbody> <tr><td> </td><td> </td><td> </td><td> </td></tr> <tr><td> </td><td> </td><td> </td><td> </td></tr> <tr><td> </td><td> </td><td> </td><td> </td></tr> <tr><td> </td><td> </td><td> </td><td> </td></tr> </tbody> </table>				NO.	REVISION	DATE	BY																	SCALES 0" = 1" 0" = 25mm IF THIS BAR IS NOT DIMENSION SHOWN, ADJUST SCALES ACCORDINGLY.		DESIGNED: NCL DRAWN: DWM CHECKED: ACS	CALLE LA CRUZ FORCE MAIN CARMEL AREA WASTEWATER DISTRICT CARMEL, CALIFORNIA Kennedy/Jenks Consultants 303 SECOND STREET, SUITE 300 SOUTH, SAN FRANCISCO, CALIFORNIA	REGIONAL MAP, VICINITY MAP, DRAWING INDEX	FILE NAME: 1768027_G-01 JOB NO.: 1768027.00 DATE: MARCH 2018 SHEET OF: G01
	NO.	REVISION	DATE	BY																										

CIVIL/GENERAL SYMBOLS

FIRE PROTECTION WATER (EXISTING)	FW	FW	FW
SEWER (EXISTING)	SS	SS	SS
STORM DRAIN (EXISTING)	SD	SD	SD
WATER LINE (EXISTING)	W		
RECLAIMED WATER (EXISTING)	RW		
GAS LINE (EXISTING)	G	G	G
TELEPHONE LINE (EXISTING)	T	T	T
ELECTRICAL LINE (EXISTING)	E	E	E
OVERHEAD POWER (EXISTING)	OH	OH	OH
PUBLIC UTILITY DISTRICT (EXISTING)	PUD		
CABLE TV (EXISTING)	CTV		
CROSSING UTILITIES (EXISTING)	X	X	
FENCE			
PROPERTY LINE/RIGHT-OF-WAY			
EASEMENT			
CONTRACTORS WORK AREA LIMITS	WA		
CENTERLINE			
CULVERT WITH END SECTIONS			
HANDRAIL OR GUARDRAIL			
WATER SURFACE			
GRADE CHANGE LINE			
EDGE OF GRAVEL			
RIDGE LINE			
FLOW LINE			
GRADED SLOPE	TOP TOE		
DITCH OR SWALE			
CONTOUR MAJOR (NEW)	110		
CONTOUR MINOR (NEW)			
CONTOUR MAJOR (EXIST)	110		
CONTOUR MINOR (EXIST)			

BENCH MARK	BM
SOIL BORING, IDENTIFICATION NUMBER	B-10
SOIL TEST PIT, IDENTIFICATION NUMBER	TP-10
SPOT ELEVATION	10.35
ELECTROLYSIS TEST STATION	ETS
WATER METER	WM
FIRE DEPT. CONNECTION	
FIRE HYDRANT	
UTILITY BOX (AS LABELED)	
POWER POLE	
STREET LIGHT	
STREET LIGHT AND TRAFFIC SIGNAL	
YARD LIGHT	
TRAFFIC SIGNAL	
TELEPHONE RISER	T RISER
GUY ANCHOR	
CATCH BASIN	CB
DROP INLET	DI
CLEAN OUT	CO
DRIVEWAY	
HANDICAP ACCESS RAMP	
CURVE NO.	14
SURVEY PANEL	
MONUMENT OR SURVEY POINT	
SECTION CORNER	
ELEVATION MARK (REFERENCE)	
ELEVATION MARK (DESIGN)	
FLAG NOTE	1

SECTION OR DETAIL REFERENCE



NOTES:

- THIS IS A GENERALIZED LEGEND SHEET. THIS CONTRACT MAY NOT USE ALL INFORMATION SHOWN.
- INFORMATION SHOWN MAY NOT BE ALL INCLUSIVE. SEE ALSO ABBREVIATIONS, G3.
- FOR ADDITIONAL SYMBOLS SEE SHEETS A1, M6, E1, AND P1.

ABBREVIATIONS

AWWA	AMERICAN WATER WORKS ASSOCIATION	IE, IN EL	INVERT ELEVATION
APPROX	APPROXIMATE	IPS	IRON PIPE SIZE
ASTM	AMERICAN SOCIETY FOR TESTING AND MATERIALS	MAX	MAXIMUM
BEMT	BESTOR ENGINEERING MAG NAIL & TAG	MIN	MINIMUM
BMP	BEST MANAGEMENT PRACTICES	MH	MANHOLE
C/L	CENTERLINE	N	NORTH, NORTHING
CLSM	CONTROLLED LOW STRENGTH MATERIAL	(N)	NEW
CONC	CONCRETE	NTS	NOT TO SCALE
CONN	CONNECTION	OC	ON CENTER
DWG	DRAWING	OD	OUTSIDE DIAMETER
E	EAST, EASTING	PI	POINT OF INFLECTION
(E), EXIST	EXISTING	PT	POINT
EL, ELEV	ELEVATION	S	SOUTH, SLOPE
FCA	FLANGED COUPLING ADAPTOR	SSMH	SANITARY SEWER MANHOLE
FD	FOUND	SST	STAINLESS STEEL
FLG	FLANGE	STA	STATION
FM	FORCE MAIN	STL	STEEL
FT	FEET	SWPPP	STORMWATER POLLUTION CONTROL PLAN
GAL	GALLON	TOP	TOP OF SLOPE
GB	GRADEBREAK	TYP	TYPICAL
HDPE	HIGH DENSITY POLYETHYLENE	VERT	VERTICAL
HORIZ	HORIZONTAL	W	WEST
HWY	HIGHWAY		
ID	INSIDE DIAMETER		

GENERAL NOTES

- EXISTING UTILITY AND STRUCTURES (UNDERGROUND, SURFACE, OR OVERHEAD) ARE INDICATED ONLY TO THE EXTENT THAT SUCH INFORMATION WAS KNOWN, OR MADE AVAILABLE TO, OR DISCOVERED BY THE ENGINEER IN PREPARING THE DRAWINGS. THE LOCATIONS, CONFIGURATIONS, AND ELEVATIONS OF SUBSURFACE FACILITIES AND UTILITIES SHOWN ARE APPROXIMATE. OTHER UTILITIES (INCLUDING SERVICE CONNECTIONS AND TRAFFIC SIGNAL WIRING) AND FACILITIES THAT ARE NOT SHOWN ARE PRESENT. THE ENGINEER'S INVESTIGATION OF THE LOCATION AND DESIGNATION OF SUBSURFACE UTILITIES INDICATED ON THESE CONTRACT DOCUMENTS HAVE BEEN PERFORMED TO QUALITY LEVEL "D" IN ACCORDANCE WITH GENERALLY ACCEPTED ENGINEERING PRINCIPLES AND PRACTICES AS OUTLINED IN ASCE STANDARD AND GUIDELINE BULLETIN C/ASCE 38-02 UNLESS OTHERWISE DESIGNATED. WHERE SUCH ACTIVITIES HAVE BEEN PERFORMED TO A HIGHER LEVEL OF QUALITY, THE HIGHER QUALITY LEVEL FOR THE AFFECTED AREAS IS INDICATED IN THE CONTRACT DOCUMENTS.
- CONTRACTOR SHALL BE FULLY RESPONSIBLE FOR LOCATING UNDERGROUND UTILITIES. ENGINEER ACCEPTS NO RESPONSIBILITY FOR THE ACCURACY OF UTILITIES SHOWN. CONTRACTOR SHALL NOTIFY UNDERGROUND SERVICE ALERT (U.S.A.) BY CALLING 811 A MINIMUM OF 48 HOURS PRIOR TO CONSTRUCTION.
- CONTRACTOR SHALL CALL PG&E 48 HOURS IN ADVANCE OF SUBSURFACE WORK OR EXCAVATIONS NEAR (WITHIN 5 FEET) GAS LINES.
- THE RIGHT-OF-WAY LINES, PROPERTY LINES AND EASEMENT LINES SHOWN ARE APPROXIMATE AND FOR ILLUSTRATION PURPOSES ONLY. THEY SHALL NOT BE USED FOR THE PURPOSE OF DETERMINING ACCURATE BOUNDARIES IN THE FIELD.
- CONTRACTOR SHALL INSTALL A 6" TEMPORARY BYPASS PIPE TO DIVERT FLOWS AROUND THE 24" OUTFALL SECTION TO BE REPLACED. SEE SPECIFICATION SECTION 01500 FOR DETAILS.
- CARE SHALL BE TAKEN TO PREVENT EROSION. SEE SPECIFICATION SECTION 01140 AND COMPLY WITH SWPPP REQUIREMENTS.
- TOPOGRAPHIC SURVEY BASED ON THE WATER ELEVATION MARKER IN THE LAGOON.

BENCHMARK ^{BM}

ELEVATION FOR THIS SURVEY ARE BASED ON A DATUM OF 12.75' WHICH WAS ASSIGNED TO A WHITSON ENGINEERS MAG NAIL & TAG, LOCATED ON A 4"x4" POST.

HORIZONTAL CONTROL

COORDINATES ARE BASED ON THE CALIFORNIA COORDINATE SYSTEM, ZONE IV, NAD 1983 (2011).

VERTICAL CONTROL

ELEVATIONS ARE RELATIVE TO THE NORTH AMERICAN VERTICAL DATUM OF 1988 (NAVD88).

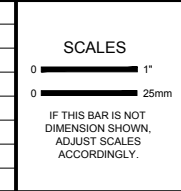
**** 90% DESIGN SUBMITTAL ****

NAPB 3/28/2018 3:51 PM \\KJC\C\Root\KJ-Cad\Federal\Way\CAD\171768027_00 - CARMEL\1768027_G-02.dwg

USE OF DOCUMENTS

THIS DOCUMENT, INCLUDING THE INCORPORATED DESIGNS, IS AN INSTRUMENT OF SERVICE FOR THIS PROJECT AND SHALL NOT BE USED FOR ANY OTHER PROJECT WITHOUT THE WRITTEN AUTHORIZATION OF KENNEDY/JENKS CONSULTANTS.

NO.	REVISION	DATE	BY



DESIGNED	JCB
DRAWN	DWM
CHECKED	ACS

DESIGNED
DRAWN
CHECKED

CALLE LA CRUZ FORCE MAIN
CARMEL AREA WASTEWATER DISTRICT
CARMEL, CALIFORNIA

Kennedy/Jenks Consultants
303 SECOND STREET, SUITE 300 SOUTH, SAN FRANCISCO, CALIFORNIA

GENERAL NOTES, SYMBOLS, LEGEND, ABBREVIATIONS AND SURVEY STATEMENT

FILE NAME	1768027_G-02
JOB NO.	1768027.00
DATE	MARCH 2018
SHEET OF	G02



- NOTES:**
1. CLEAR AND TRIM EXISTING VEGETATIONS ALONG THE 15-FOOT WIDE NORTHERN ACCESS ROAD. STABILIZE AND WIDEN THE ROAD TO ALLOW CONSTRUCTION VEHICLE ACCESS. PLATE THE ACCESS ROAD WITH RUBBER MAT OR STEEL PLATE, OR WOOD PLATES. PERMANENT ROAD IMPROVEMENTS SUCH AS GRAVEL ROADBASE SHALL NOT BE ALLOWED. CONTRACTOR SHALL REMOVE ALL TEMPORARY MAT OR PLATE AT THE END OF CONSTRUCTION.
 2. SOUTHERN ACCESS ROAD SHALL BE LIMITED TO LIGHT CONSTRUCTION VEHICLES.
 3. CONTRACTOR SHALL USE THE NORTHERN ACCESS ROAD FOR HEAVY EQUIPMENT AND VEHICLES.
 4. CONTRACTOR SHALL COMPLETE WATER IN CONSTRUCTION WITHIN EIGHT WEEKS DURING THE MONTH OF AUGUST TO OCTOBER TO AVOID MIGRATING STEELHEAD. WORK HOURS SHALL BE FROM 6 AM TO 5 PM.

- LEGEND:**
- [Hatched Box] STAGING AREA
 - [Dotted Box] SEASONAL WETLAND
 - [Cross-hatched Box] PERENNIAL WETLAND
 - [Dashed Line] ENVIRONMENTAL ASSESSMENT BOUNDARY
 - [Dash-dot Line] CALTRANS MITIGATION BANK BOUNDARY
 - [Solid Line] ACCESS ROAD

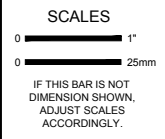
STAGING AREA AND SITE ACCESS PLAN
 APPROX SCALE: 1"=160'-0"

**** 90% DESIGN SUBMITTAL ****

NAPP 3/15/2018 3:37 PM
 \K\C\K\C-Root\KJ-Cad\Federal\Way\CAD\171768027_00 - CARMEL\1768027_G-03.dwg

USE OF DOCUMENTS
 THIS DOCUMENT, INCLUDING THE INCORPORATED DESIGNS, IS AN INSTRUMENT OF SERVICE FOR THIS PROJECT AND SHALL NOT BE USED FOR ANY OTHER PROJECT WITHOUT THE WRITTEN AUTHORIZATION OF KENNEDY/JENKS CONSULTANTS.

NO.	REVISION	DATE	BY



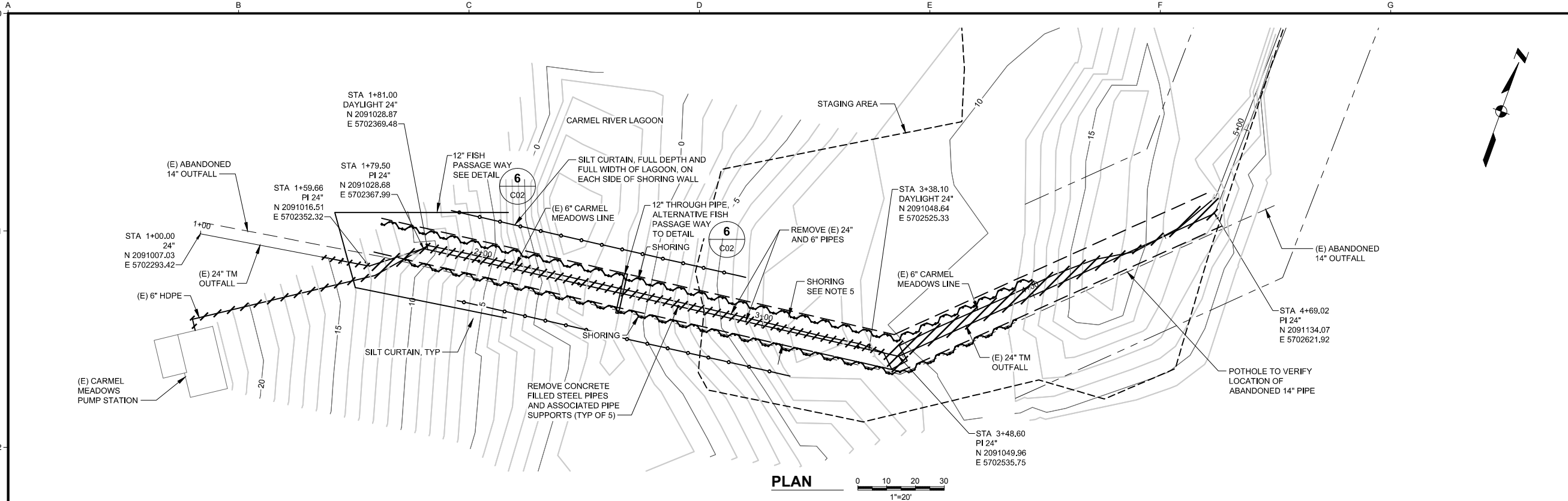
DESIGNED
XL
 DRAWN
NEB
 CHECKED
JCB

CALLE LA CRUZ FORCE MAIN
CARMEL AREA WASTEWATER DISTRICT
CARMEL, CALIFORNIA
 Kennedy/Jenks Consultants
 303 SECOND STREET, SUITE 300 SOUTH, SAN FRANCISCO, CALIFORNIA

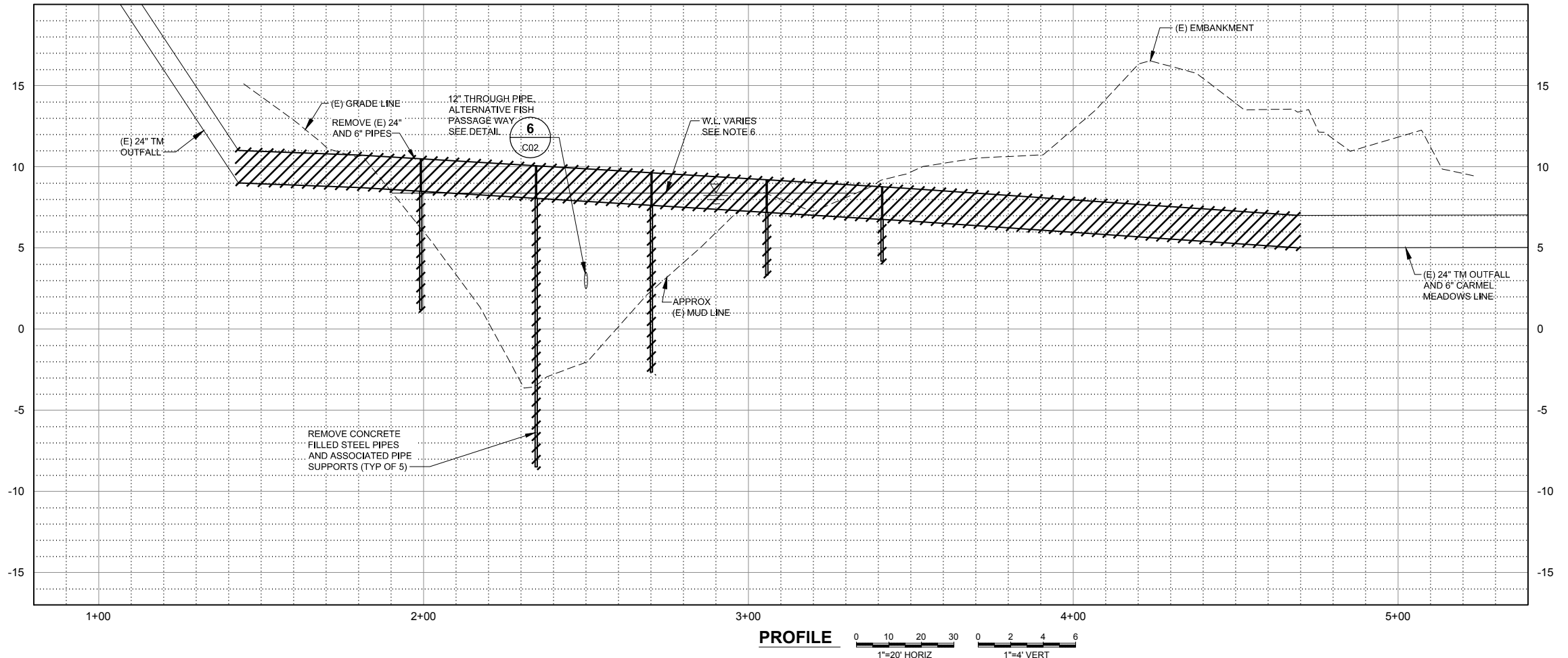
STAGING AREAS AND SITE ACCESS PLAN

FILE NAME
1768027_G-03
 JOB NO.
1768027.00
 DATE
MARCH 2018
 SHEET **G03** OF

\K\C\K\C-Roof\KJ-Cad\FederalWay\CAD\171768027_00 - CARMEL\1768027_D-01.dwg
 NPB 3/29/2018 4:26 PM



- NOTES:**
1. INSTALL SWPP AND SILT CURTAINS PRIOR TO PERFORMING ANY DEMOLITION WORK.
 2. SET UP BYPASSES FOR EXISTING PIPES. 6\"/>



**** 90% DESIGN SUBMITTAL ****

USE OF DOCUMENTS
 THIS DOCUMENT, INCLUDING THE INCORPORATED DESIGNS, IS AN INSTRUMENT OF SERVICE FOR THIS PROJECT AND SHALL NOT BE USED FOR ANY OTHER PROJECT WITHOUT THE WRITTEN AUTHORIZATION OF KENNEDY/JENKS CONSULTANTS.

NO.	REVISION	DATE	BY

SCALES
 0" = 1"
 0" = 25mm
 IF THIS BAR IS NOT DIMENSION SHOWN, ADJUST SCALES ACCORDINGLY.

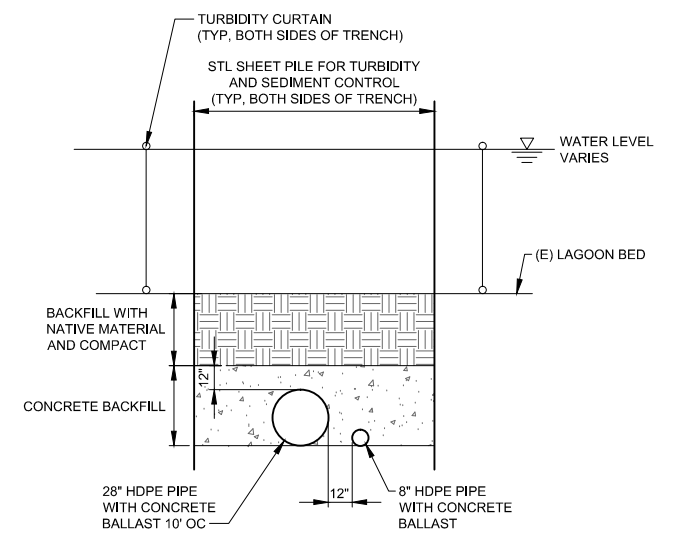
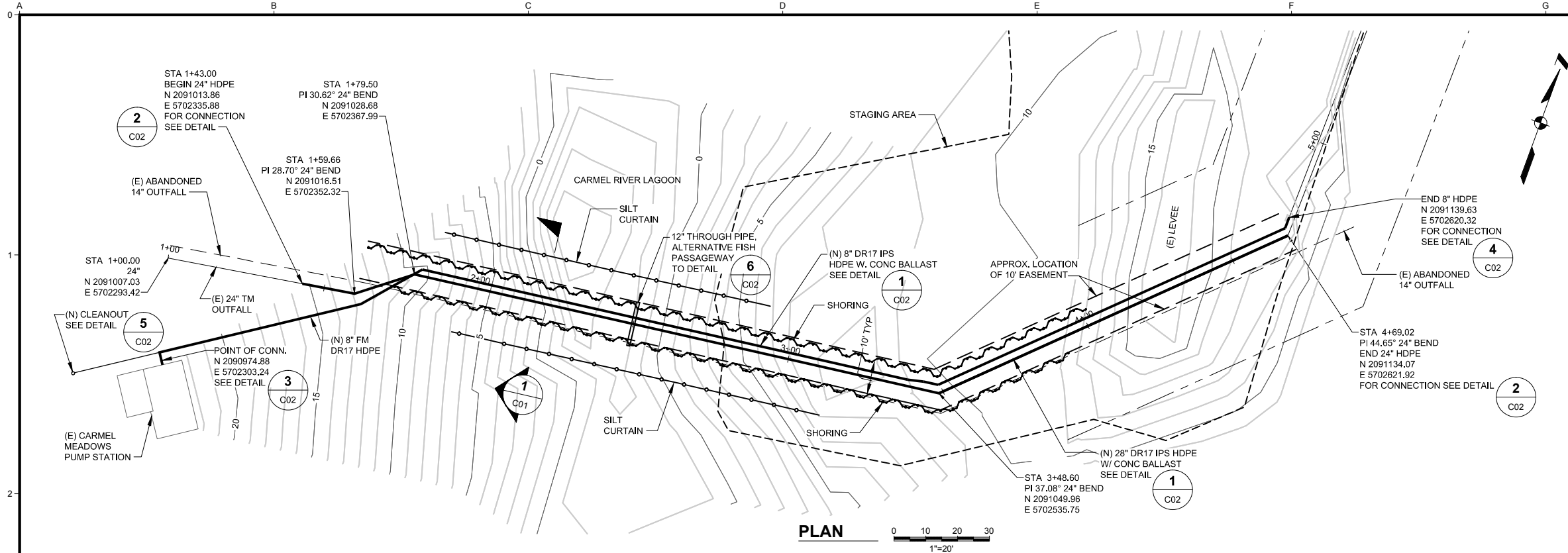


DESIGNED: JCB
 DRAWN: RJS
 CHECKED: JCB

CALLE LA CRUZ FORCE MAIN
CARMEL AREA WASTEWATER DISTRICT
CARMEL, CALIFORNIA
 Kennedy/Jenks Consultants
 303 SECOND STREET, SUITE 300 SOUTH, SAN FRANCISCO, CALIFORNIA

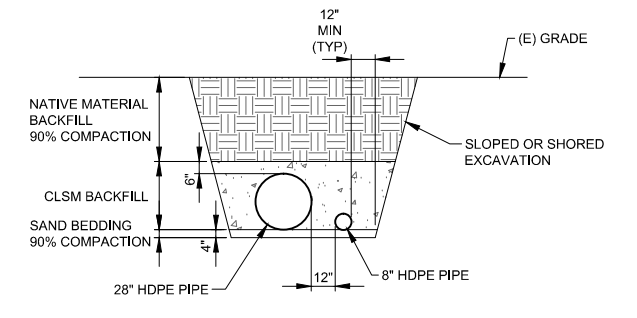
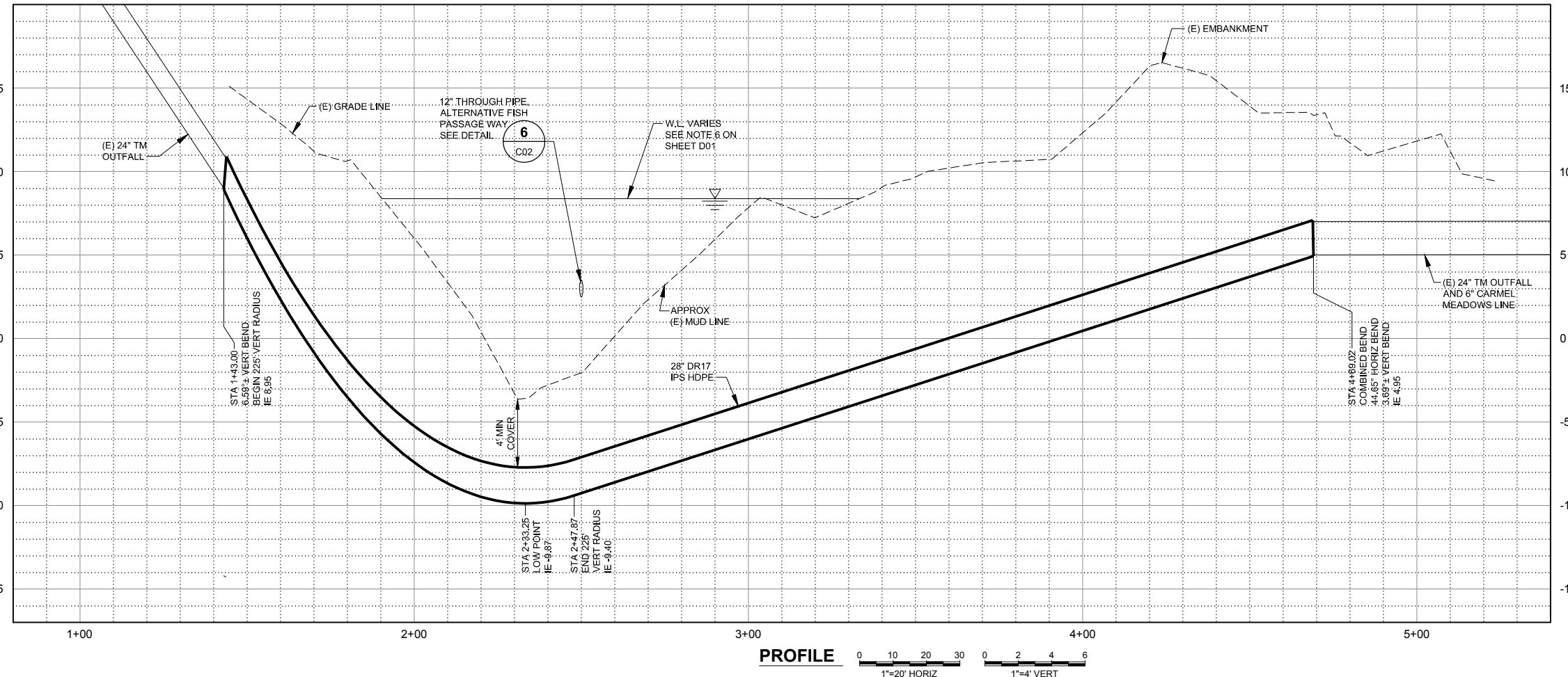
DEMOLITION PLAN AND PROFILE

FILE NAME: 1768027_G-02
 JOB NO.: 1768027.00
 DATE: MARCH 2018
 SHEET OF: **D01**



TYPICAL TRENCH CROSS SECTION FOR UNDER WATER CONSTRUCTION

1
C01



TYPICAL TRENCH CROSS SECTION FOR ABOVE WATER EXCAVATION

2
C01

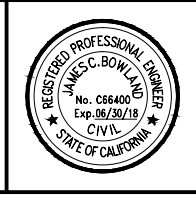
**** 90% DESIGN SUBMITTAL ****

NAPB 3/29/2018 3:59 PM \\KJ\KJ\C-Roof\KJ-Cad\FederalWay\CAD\171768027_00 - CARMEL\1768027_C-01.dwg

USE OF DOCUMENTS
THIS DOCUMENT, INCLUDING THE INCORPORATED DESIGNS, IS AN INSTRUMENT OF SERVICE FOR THIS PROJECT AND SHALL NOT BE USED FOR ANY OTHER PROJECT WITHOUT THE WRITTEN AUTHORIZATION OF KENNEDY/JENKS CONSULTANTS.

NO.	REVISION	DATE	BY

SCALES
0 10 20 30
1" = 20'
0 2 4 6
1" = 4' VERT
IF THIS BAR IS NOT DIMENSION SHOWN, ADJUST SCALES ACCORDINGLY.

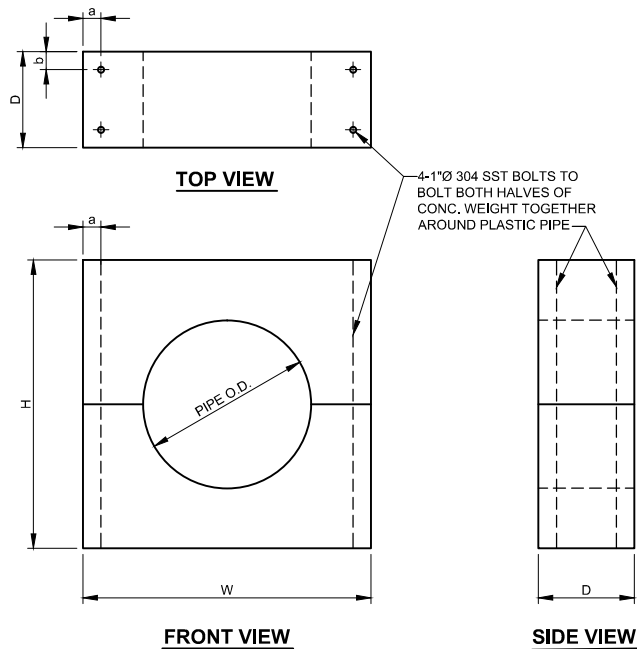


DESIGNED: JCB
DRAWN: RJS
CHECKED: JCB

CALLE LA CRUZ FORCE MAIN
CARMEL AREA WASTEWATER DISTRICT
CARMEL, CALIFORNIA
Kennedy/Jenks Consultants
303 SECOND STREET, SUITE 300 SOUTH, SAN FRANCISCO, CALIFORNIA

NEW PIPES PLAN AND PROFILE

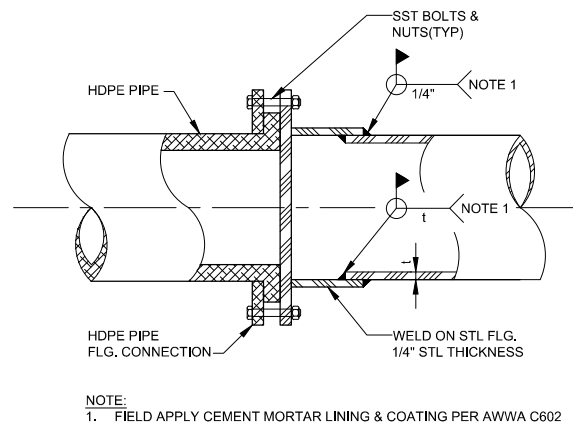
FILE NAME: 1768027_C-01
JOB NO.: 1768027.00
DATE: MARCH 2018
SHEET OF: **C01**



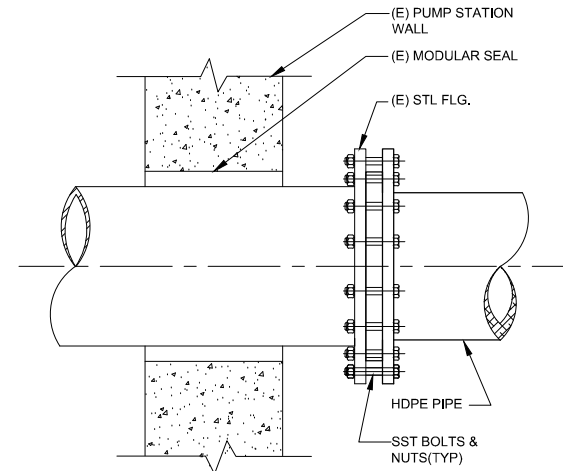
DIMENSION	W	H	D	L*	a	b
28" HDPE	4'-0"	4'-0"	1'-6"	10'-0"	0'-2"	0'-2"
8" HDPE	1'-6"	1'-6"	0'-10"	10'-0"	0'-1"	0'-1"

L* = C/L DISTANCE BETWEEN THE CONCRETE WEIGHTS

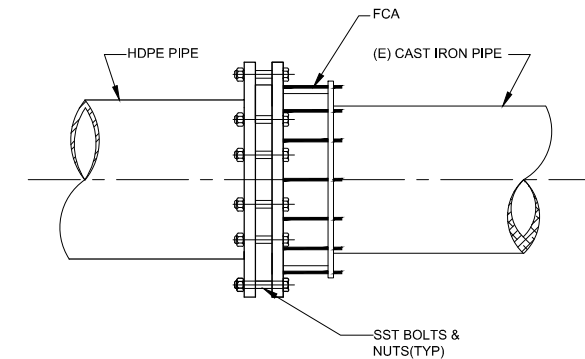
CONCRETE WEIGHTS FOR HDPE PIPE 1
NTS C-01



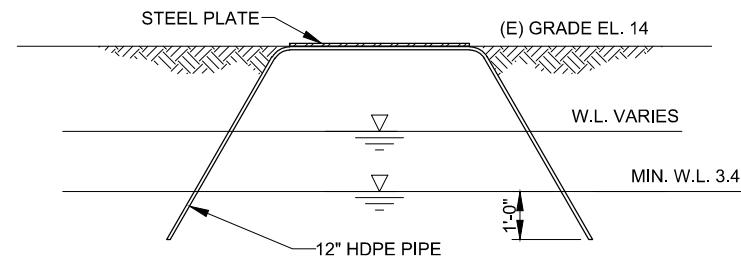
HDPE PIPE AND STEEL PIPE CONNECTION 2
NTS C-01



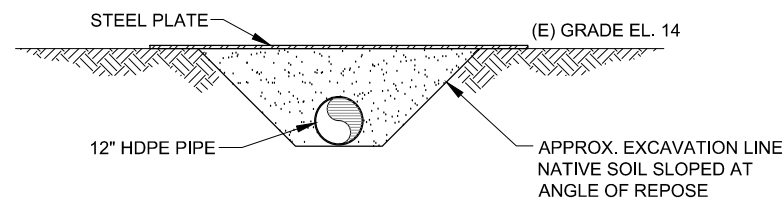
HDPE PIPE CONNECTION TO (E) PUMP STATION DISCHARGE PIPE 3
NTS C-01



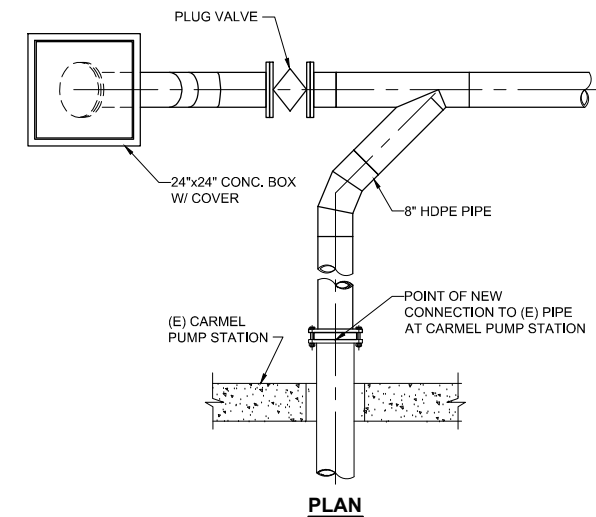
HDPE PIPE CONNECTION TO (E) CAST IRON PIPE 4
NTS C-01



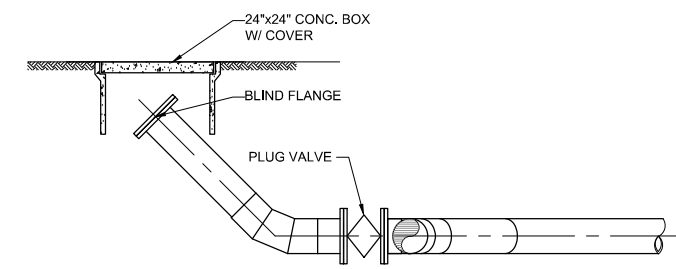
FISH PASSAGE WAY SECTION 5
NTS D-01 C-01



TRENCH CROSS SECTION FOR FISH PASSAGE WAY 6
NTS D-01 C-01



PLAN



ELEVATION

CLEANOUT DETAIL 5
NTS C-01

**** 90% DESIGN SUBMITTAL ****

NAPB 3/28/2018 4:13 PM

\\KJ\KJ\C-Roof\KJ-Cad\FederalWay\CAD\171768027\00 - CARMEL\1768027_C-02.dwg

<p>USE OF DOCUMENTS</p> <p>THIS DOCUMENT, INCLUDING THE INCORPORATED DESIGNS, IS AN INSTRUMENT OF SERVICE FOR THIS PROJECT AND SHALL NOT BE USED FOR ANY OTHER PROJECT WITHOUT THE WRITTEN AUTHORIZATION OF KENNEDY/JENKS CONSULTANTS.</p>	<p>SCALES</p> <p>0" = 1"</p> <p>0" = 25mm</p> <p>IF THIS BAR IS NOT DIMENSION SHOWN, ADJUST SCALES ACCORDINGLY.</p>		<p>DESIGNED: XL</p> <p>DRAWN: NEB</p> <p>CHECKED: ACS</p>	<p>CALLE LA CRUZ FORCE MAIN</p> <p>CARMEL AREA WASTEWATER DISTRICT</p> <p>CARMEL, CALIFORNIA</p> <p>Kennedy/Jenks Consultants</p> <p>303 SECOND STREET, SUITE 300 SOUTH, SAN FRANCISCO, CALIFORNIA</p>	<p>CIVIL DETAILS</p>	<p>FILE NAME: 1768027_C-02</p> <p>JOB NO.: 1768027.00</p> <p>DATE: MARCH 2018</p> <p>SHEET OF: C02</p>															
<table border="1" style="width: 100%; border-collapse: collapse;"> <thead> <tr> <th>NO.</th> <th>REVISION</th> <th>DATE</th> <th>BY</th> </tr> </thead> <tbody> <tr><td> </td><td> </td><td> </td><td> </td></tr> <tr><td> </td><td> </td><td> </td><td> </td></tr> <tr><td> </td><td> </td><td> </td><td> </td></tr> </tbody> </table>	NO.	REVISION	DATE	BY																	
NO.	REVISION	DATE	BY																		